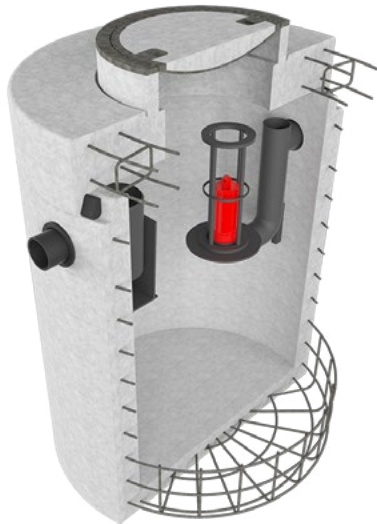


## INTEGRAL LIGHT LIQUID & OIL SEPARATORS - CONCRETE TYPE EUROMAL+ TO EN 858/DIN 1999-100



The Aquafix Euromal+ light liquid and oil separators remove gasoline and light liquids of mineral origin out of wastewater from petrol stations, car washes, automotive workshops and industry. These separators are equipped with integrated sludge trap\* and are manufactured according to the European standard EN 858 / DIN 1999-100 and have a CE Mark and a EC Declaration of Performance.

The separators are tested, rated and certified for use and functionality by the accredited institute TÜV LGA. The separators are constructed and designed for static loads according to EN-858 & DIN1999-100. The reinforced high quality concrete is watertight according to EN 206-1 & EN 8005. Minimum concrete class C 60/75, environmental classification XA3/EA3. The minimum wall thickness is 120mm.

The internal parts of the separators are made out of durable KOMO certified PE-HD. The separators are standard equipped with a BeGu (EN 124) manhole cover DN 600mm load class: B. 125kN. For a small surcharge you can opt for a cover class D. 400kN.

### Benefits:

- For underground installation
- Compact design
- From high quality reinforced concrete
- Internal parts of durable PE (KOMO certified)
- Manufactured according to EN 858/DIN1999-100
- Customized production on request

- Pumping station
- Flexible connectors
- Oil level alarm system
- Control chamber

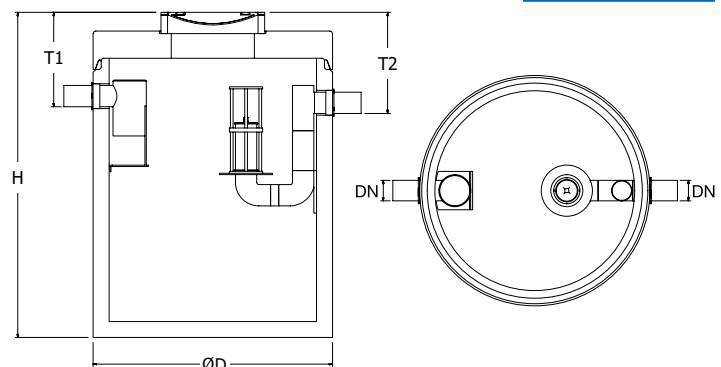
### Certificates:

- CE Mark
- EC Declaration of Performance
- European Regulation Construction product 305/2011/EU
- LGA TÜV tested and certified for use and functionality

### Options:

- Available with many other internal sludge capacities.
- Coalescence filter module
- Internal coating or PE-HD inliners.

**EN-858**



Type AQUAFIX®	Nominal Sizes	Sludge Storage	Oil Storage	DN Ø	D Ø	H Min.	T1	T2	Covers Qty	Total Weight	Emission* by TÜV
229.3830.0010	1 ½	300 liter	140 liter	125	1250	1590	585	610	1	2082	16 mg/ltr.*
229.3831.0031	3	600 liter	140 liter	125	1250	1880	585	610	1	2372	16 mg/ltr.*
229.3832.0063	6	1200 liter	140 liter	125	1250	2590	585	610	1	3157	16 mg/ltr.*
229.3851.0083	8	1650 liter	400 liter	160	1800	2170	640	665	1	4583	21 mg/ltr.*
229.3852.0103	10	2100 liter	400 liter	160	1800	2420	640	665	1	4757	21 mg/ltr.*
229.3862.0153	15	3250 liter	903 liter	200	2300	2560	680	705	1	6800	32 mg/ltr.*
229.3863.0202	20	4000 liter	903 liter	200	2300	2660	680	705	2	7096	32 mg/ltr.*
229.3872.0253	25	6000 liter	1646 liter	250	2800	2920	730	755	2	11.728	7 mg/ltr.*
229.3872.0302	30	6000 liter	1646 liter	250	2800	2920	730	755	2	11.828	7 mg/ltr.*
229.3873.0402	40	6000 liter	1766 liter	315	2800	3120	790	815	2	12.440	< 100 mg/ltr.
229.3873.0502	50	6000 liter	1766 liter	315	2800	3120	790	815	2	12.540	< 100 mg/ltr.
229.3873.0650	65*	-	1987 liter	315	2800	3120	790	815	2	12.663	< 100 mg/ltr.
229.4873.0800	80*	-	2232 liter	400	2800	3120	875	900	2	12.786	< 100 mg/ltr.
229.4873.1000	100*	-	2387 liter	400	2800	3120	875	900	2	13.993	< 100 mg/ltr.

Dimension in mm, storage in liters and weight in kilograms (\* Without integrated sludge trap )

Subject to changes